

000 700 271

10/02/Redditch



**EB+ INFO CENTRE**  
Installation instructions

Installationsanweisungen

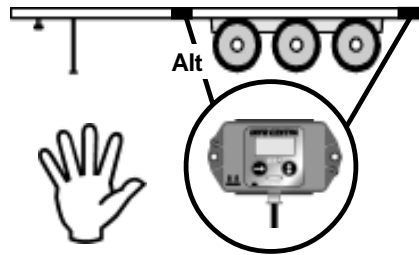
Les Instructions de montage

Instrucciones de intalación

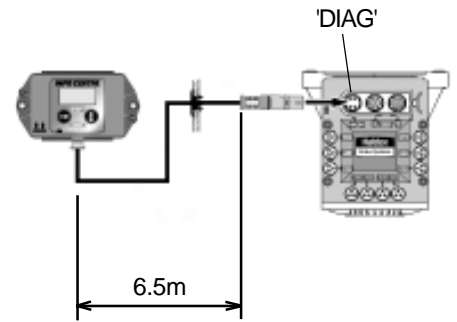
Instrukcja obsługi

Instruzioni per l'installazione

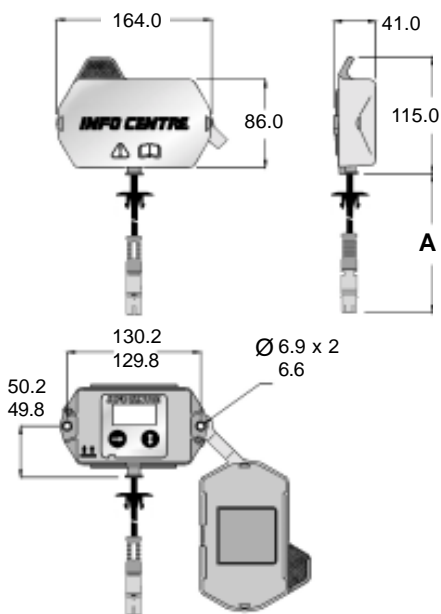
**3**



**7**



**1**

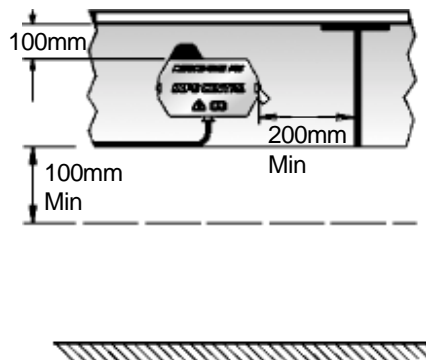


0.7Kgs

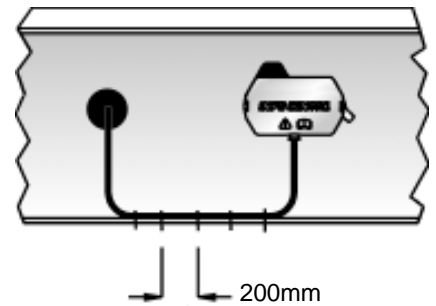
815 001 101 - 'A' = 6.5m (Cable)

815 001 111 - 'A' = 24m (Cable)

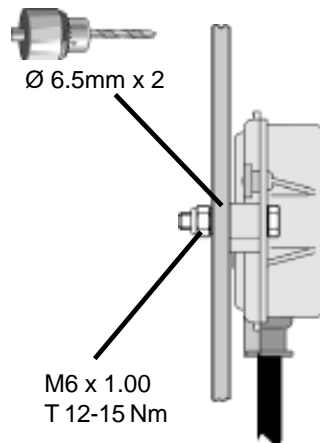
**4**



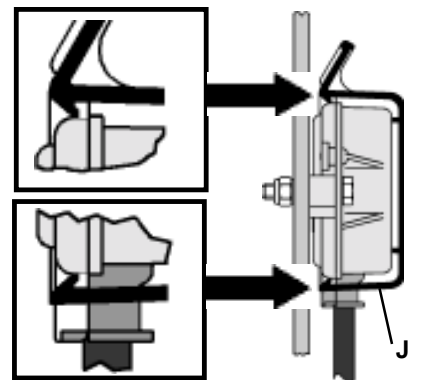
**8**



**5**



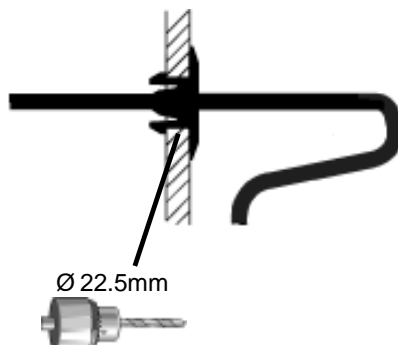
**9**



**2**



**6**



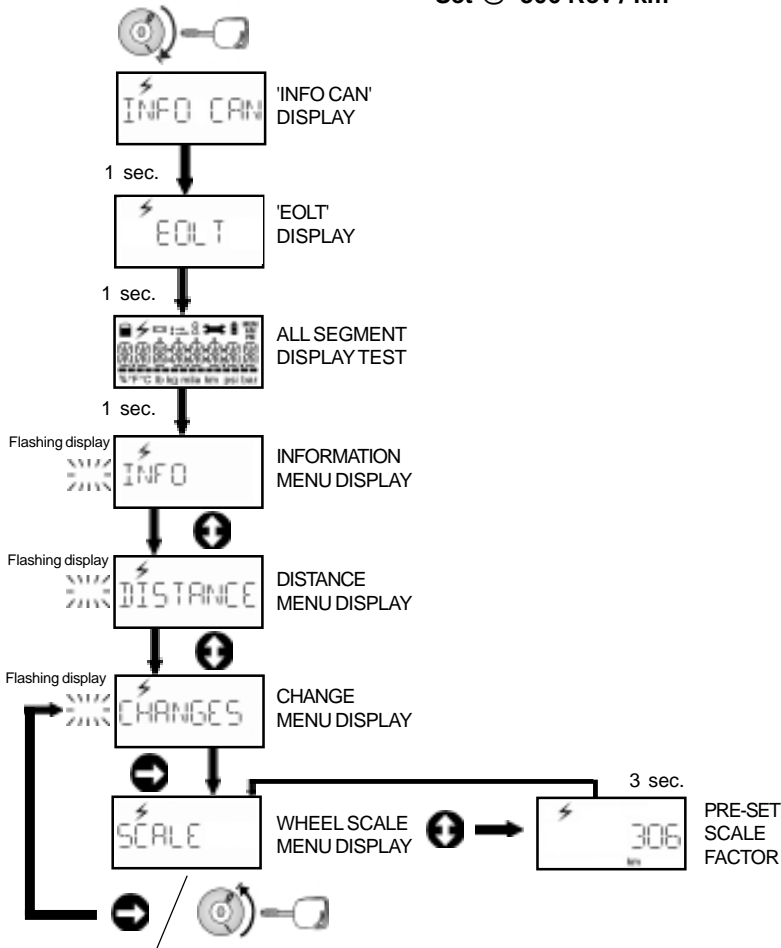
In case of difficulty contact:  
**Haldex Brake Products Ltd.**  
Moons Moat Drive  
Moons Moat North  
Redditch  
Worcestershire B98 9HA  
Tel: (+44) (0) 1527 499 499  
Fax: (+44) (0) 1527 499 500



# WHEEL SCALING FACTOR

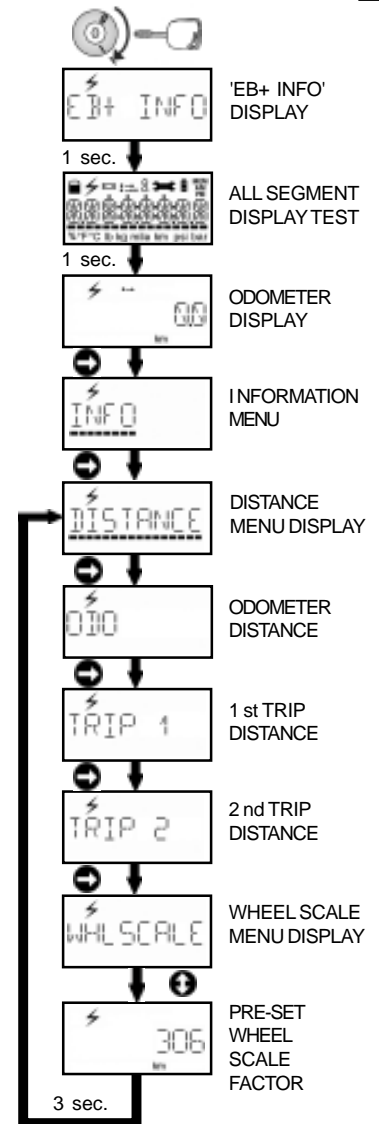
Version G205  
Set @ 306 Rev / km

10



Version G212 onwards  
Set @ 306 Rev / km

11



For detailed functions refer to EB+ Info Centre Operator's Guide - 000 700 270 V.G205 or V.G218

## WHEEL SCALING FACTOR

TYRE SIZE	WSF			TYRE SIZE	WSF			TYRE SIZE	WSF		
	80T (km)	90T (km)	100T (km)		80T (km)	90T (km)	100T (km)		80T (km)	90T (km)	100T (km)
C 22.5 PILOTE X	265	299	332	11.00 R 22		259	288	275/80 R 18	296	333	
D 20 PILOTE X	260	293	325	11/70 R 22.5	274	308	342	275/80 R 20	277	311	346
D 20 TYP X	249	280	311	12 R 22.5		273	303	275/80 R 22.5	259	292	324
D 22.5 PILOTE X	259	292	324	12.00 R 20		263	292	285/60 R 22.5	282	318	353
E 20 PILOTE X	250	282	313	12.00 R 22		253	281	285/70 R 19.5	293	330	
E 20 TYP X		303	303	12.00 R 24		240	267	295/60 R 22.5	282	317	352
E 22 TYP X		288	288	12.0 - 18	302	339		295/70 R 22.5	266	300	333
E 22.5 PILOTE X	250	282	313	12.5 R 20	256	288	320	295/80 R 22.5	251	283	314
F 20 PILOTE X		272	302	12/80 R 20	260	293	325	305/60 R 22.5	278	312	347
F 20 TYP X		291	291	12/80 R 22.5	250	282	313	305/70 R 19.5	284	320	355
G 20 TYP X		266	266	13 R 20 PILOTE X		260	289	305/70 R 22.5	263		328
6.00 R 16	357			13 R 22.5		262	291	305/70 R 22.5		295	285
6.00 R 18	333			13.0/55 - 16	326			315/60 R 22.5	276	310	344
6.5 R 16	352			13.0/65 R 18		337	299	315/70 R 22.5	259	291	323
6.5 R 20	302	339		13.00 R 20		251	279	315/75 R 17.5	338		
6.50 R 17	340			13/75 R 22.5	250	282	313	315/75 R 22.5	252	284	315
7 R 17.5	349			13/80 R 20	250	282	313	315/80 R 22.5	244	275	305
7 R 19.5	328			14.00 R 20		239	265	325/65 R 16	328		
7.00 R 16	338			14.5 R 20		271	301	325/65 R 18	299	337	
7.00 R 20	293	330		14.5-20 MPT	249	280	311	335/65 R 18	300	338	
7.50 R 15	340			14.75/80 R 20		260	289	335/80 R 18	271	305	339
7.50 R 16	324			14/80 R 20		271	301	335/80 R 20	251	283	314
7.50 R 20	283	319	354	15 R 22.5	246	276	307	355/60 R 18	299	337	
8 R 17.5	334			15.0/55 R 18	302	340		365/70 R 22.5		273	303
8 R 19.5	306	345		16.00 R 20			247	365/80 R 20		270	300
8 R 22.5	280	316	351	16.5 R 19.5	252	284	315	365/80 R 22.5		267	297
8.25 R 15	314			16.5 R 22.5		265	294	375/75 R 20	245	276	307
8.25 R 16	305	344		16/70-20 MPT	253	284	316	385/55 R 18	302	340	
8.25 R 17	297	335		18 R 19.5	244	275	305	385/55 R 19.5	287	323	359
8.25 R 20	273	307	341	18 R 22.5		257	285	385/65 R 19.5	263	296	329
8.5 R 17.5			327	205/75 R 17.5	348			385/65 R 22.5	245	275	306
9 R 17.5	320			215/75 R 16	357			405/70 R 20	244	275	305
9 R 19.5	293	330		215/75 R 17.5	342			425/55 R 19.5	269	302	336
9 R 22.5	270		338	225/65 R 15	349			425/65 R 22.5		262	291
9.00 R 16	286	322	358	225/75 R 16	350			425/75 R 20			292
9.00 R 20	258		322	225/75 R 17.5	335			445/45 R 19.5	288	324	360
9.5 R 17.5	311	350		235/75 R 17.5	329			445/65 R 19.5	244	275	305
10 R 17.5	306	345		245/70 R 17.5	330			445/65 R 22.5		257	285
10 R 22.5	257	290	322	245/70 R 19.5	313	352		500/55-20	264	297	330
10.0 R 15	285	321	357	255/70 R 22.5	282	318	353	525/65 R 20.5		247	274
10.00 R 20	249	280	311	265/70 R 17.5	302	340		545/45-17	276	310	344
10.5 R 20	277		346	265/70 R 19.5	302	340		550/60-22.5		248	275
10.5 R 20 MPT	279	314	349	275/65 R 16	348			550/65-22.5		248	276
11 R 22.5	250	281	312	275/65 R 18	324			555/45-17	274	309	343
11.00 R 20		273	303	275/70 R 22.5	271	305	339				

### USEFUL NUMBERS:

1 mile = 1.6093 km  
1 km = 0.6214 miles

### Wheel Scale Factor (WSF) equation for other tyre sizes:

1.  $WSF = N \times (T / 100)$

N = Revolutions / km  
T = Exciter actual tooth count

2.  $WSF = (1000 / Rc) \times (T / 100)$

Rc = Rolling circumference in metres  
T = Exciter actual tooth count

12